

CCECO Colour Switching 2D

15W IP65 Colour Switching 2D fitting

brightLED
...BRIGHTENING YOUR FUTURE



Overview

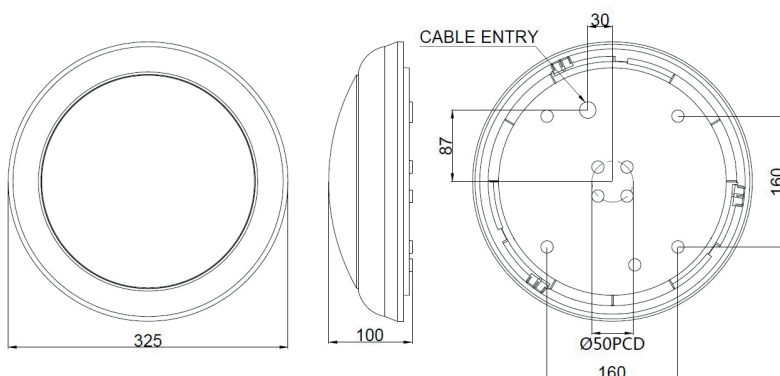
With an excellent even light distribution, and featuring emergency and microwave options, this 2D-style luminaire can be mounted on a wall or a ceiling. Its practical design and dependable operation make it highly versatile and useful for both residential and commercial applications.

This IP65-rated luminaire is an easy to install bulkhead with a simple colour switching feature. Once the base is installed and wiring brought through the rear multiple cable entry point, the LED gear tray simple aligns to the triple screw securing points.

Features

- One product 3 colour temperatures 3k, 4.5k, 6k
- Universal IP65 polycarbonate housing
- High LED Chip Density for better performance
- Branded high quality LED Driver
- High output emergency module
- >35,000 hours' life

Product Dimensions



E: office@bright-led.co.uk
T: 01282 505400 F: 0844 854 8662

www.bright-led.co.uk

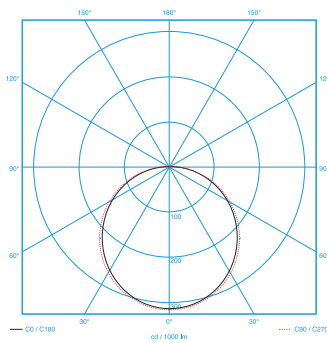


Side View



CCECO Luminaire corridor installation.

Photometric Performance



Product Specification

Code	Description
2D-CCCECO3-15W-IP65	2D Eco CCT Changing ECO V3
2D-CCCECO3-15W-IP65-E3L	2D Eco CCT Change Lithium 3Hr Emergency V3

Colour Temperature	Lumen output
3000k	1727Lm
4500k	1850Lm
6000k	1818Lm

Customisation Options

Code	Description
2D-CCCECO3-15w-IP65-M0	2D CCECO3 15W IP64 Microwave On/OFF
2D-CCCECO3-15W-IP65-M0-E3L	2D CCECO3 15W IP64 Microwave On/OFF 3hr Emergency

